

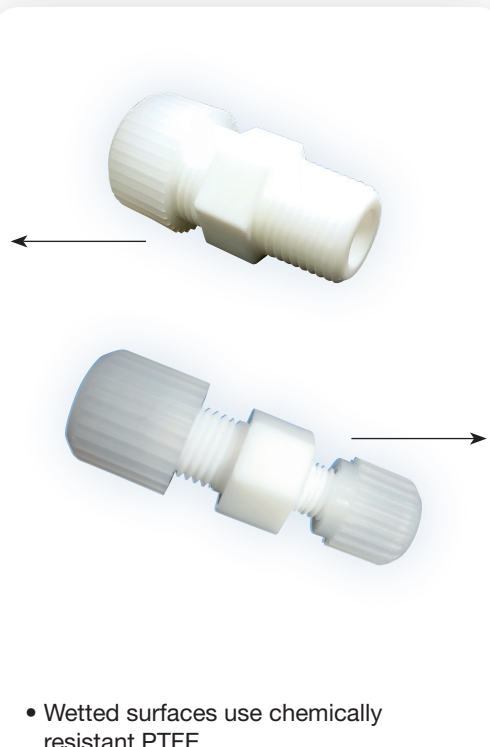
# COMPRESSION FITTINGS

## Polytetrafluoroethylene (PTFE)

Body and ferrules made of virgin PTFE. The nut and ferrule-gripper is made of PVDF. Performance at ambient room conditions: 120psi for 1/16in fittings linear decreasing to 80psi for 3/4in fittings, and 60psi for fittings larger than 3/4in. Performance at elevated temperatures up to 85°C/185°F: 90psi for 1/16in fittings linear decreasing to 60psi for 3/4in fittings and 40psi for fittings larger than 3/4in.

### Tube Compression to Male NPT

Tubing O.D.	NPT Size	Order Code
1/16	1/8	12709-02
1/8	1/8	12709-04
3/16	1/8	12709-06
1/4	1/8	12709-08
5/16	1/8	12709-10
4 mm	1/8	12709-12
6 mm	1/8	12709-14
1/8	1/4	12709-16
1/4	1/4	12709-18
5/16	1/4	12709-20
3/8	1/4	12709-22
1/2	1/4	12709-24
6 mm	1/4	12709-26
8 mm	1/4	12709-28
10 mm	1/4	12709-30
1/4	3/8	12709-32
5/16	3/8	12709-34
3/8	3/8	12709-36
1/2	3/8	12709-38
10 mm	3/8	12709-40
12 mm	3/8	12709-42
1/4	1/2	12709-44
3/8	1/2	12709-46
1/2	1/2	12709-48
12 mm	1/2	12709-50
3/4	3/4	12709-52
1	3/4	12709-54
1	1	12709-56



- Wetted surfaces use chemically resistant PTFE.
- Compression style fitting with gripping ring.
- Great with vacuum or pressure.
- Wide variety of sizes (special configurations upon request).
- Also available in bore-through to allow for rigid tubing to pass completely through fitting.

### Tube Compression Reducing Union

Tubing O.D.	NPT Size	Order Code
3/16	1/8	12711-02
1/4	1/8	12711-04
5/16	1/8	12711-06
1/4	3/16	12711-08
5/16	1/4	12711-10
3/8	1/4	12711-12
1/2	1/4	12711-14
3/4	1/2	12711-16
1	1/2	12711-18
1	3/4	12711-20

# Polytetrafluoroethylene (PTFE)

## Compression Fittings & Stopcocks

Body and ferrules made of virgin PTFE. The nut and ferrule-gripper is made of PVDF. Performance at ambient room conditions: 120psi for 1/16in fittings linear decreasing to 80psi for 3/4in fittings, and 60psi for fittings larger than 3/4in. Performance at elevated temperatures up to 85°C/185°F: 90psi for 1/16in fittings linear decreasing to 60psi for 3/4in fittings and 40psi for fittings larger than 3/4in.



### Tube Compression Elbow to Male NPT

- Wetted surfaces use chemically resistant PTFE.
- Compression style fitting with gripping ring.
- Great with vacuum or pressure.

Tubing O.D.	NPT Size	Order Code
1/8	1/8	12715-02
3/16	1/8	12715-04
1/4	1/8	12715-06
3/8	1/8	12715-08
1/8	1/4	12715-10
1/4	1/4	12715-12
3/8	1/4	12715-14
1/4	3/8	12715-16
3/8	3/8	12715-18
1/2	3/8	12715-20
3/8	1/2	12715-22
1/2	1/2	12715-24
1	1/2	12715-26
3/4	3/4	12715-28
1	1	12715-30



### 2-Way Stopcock

- Wetted surfaces use chemically resistant PTFE.
- Compression style PTFE fitting with PVDF gripping ring or female NPT.
- Great with vacuum or pressure (60 PSI max).
- 110°C Media Temperature

#### Female NPT Stopcocks

Tubing O.D.	Order Code
1/8	5839-60
1/4	5839-64
3/8	5839-68
1/2	5839-72
3/4	5839-76

#### Tube Compression Stopcocks

Tubing O.D.	Order Code
1/8	5839-62
1/4	5839-66
3/8	5839-70
1/2	5839-74
3/4	5839-78

### Also available upon request:

- 3-way and 4-way stopcocks
- Panel mounting
- Metric tube ends
- Male NPT connections
- Sanitary Connections



### Tube Compression Elbow Union

- Wetted surfaces use chemically resistant PTFE.
- Compression style fitting with gripping ring.
- Great with vacuum or pressure.

Tubing O.D.	Order Code
1/8	12716-02
3/16	12716-04
1/4	12716-08
3/8	12716-10
1/2	12716-12
3/4	12716-14
1	12716-16