

## 7832-14/-19 SOLID STATE RELAY FOR PILOT PLANTS FOR AUTOMATIC TEMPERATURE CONTROL

For use with one standard temperature controller with 120 volt output. Two relay models are available : For powering up to (3) 240-volt or (5) 120-volt heater circuits on flask sizes 10, 12, 30, 50 & 72 liter capacities.

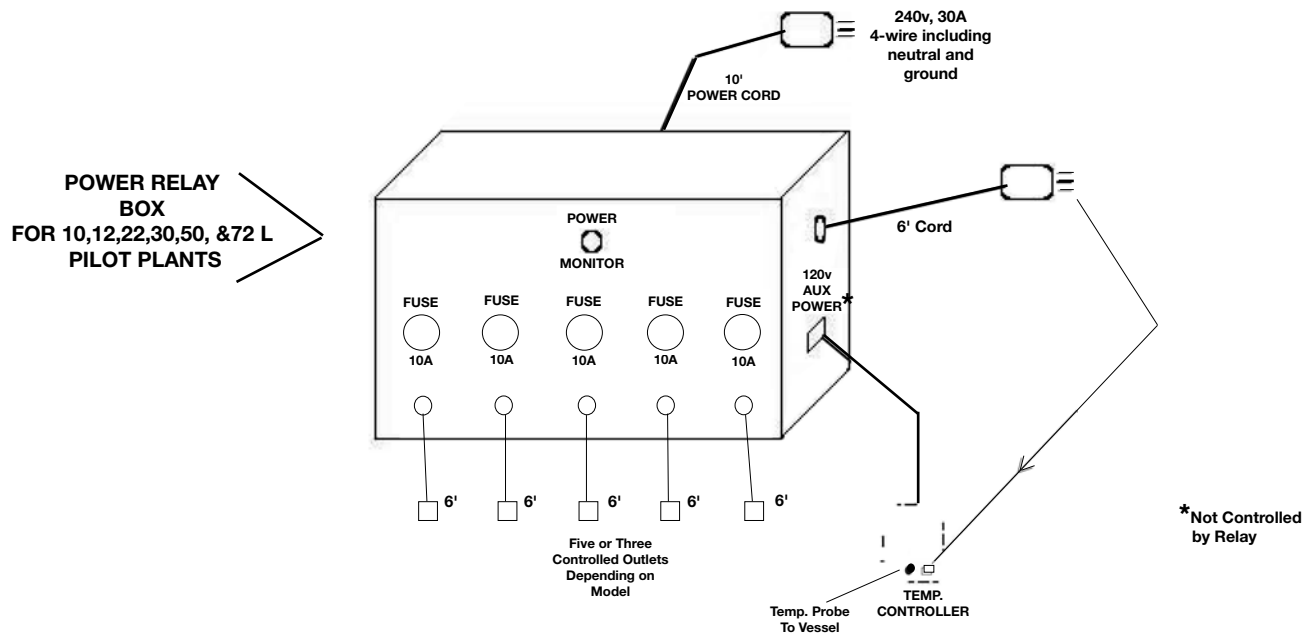
Both models need a single power source of 240 volts, single phase, 30-ampere with neutral, 50/60 Hz., utilizing a twist-lock socket (#L14-30R). The relay box has a 10-foot power cord with a twist-lock plug (#L14-30P). An auxiliary 120 volt outlet is available for temperature control power. A six foot 120 volt control cord with plug is used to control the relay box which would plug into the output of the temperature controller. Three or five 6 foot cords with sockets, depending on model, are for plugging in the heater circuits; all are fused individually. NOTE: **DO NOT PLUG POWERSTATS INTO THE CONTROLLED OUTLETS** or damage can result to the relay box.

Also, **WHEN USING LESS THAN FIVE CONTROLLED HEATERS**, use outlets labelled 1 - 4 - 2 - 5, in this sequence. [7832-14 only]

A temperature controller with Ramp & Soak feature or an automatic rate feature — such as in ACE Catalog No. 12107, 12111, 12113 or 12125 — is highly recommended to use with the power relay box. These features when set properly, reduce differential temperatures between material being heated and the mantle heater temperature which keeps the glass walls of the vessel within safe differential temperature limits.

The output of the temperature control can be any normal cycle rate, time proportional, and 120 volt value — this switches the solid state relays which are the non-arcing, non-burning contact type and are optically isolated for safety. An amber monitor light is provided to indicate power relay output. A power relay unit for the 100 & 200 liter mantles is available; phone for details.

	<b>Order Code</b>
(5) Controlled 120 volt outputs	<b>7832-14</b>
(3) Controlled 240 volt outputs	<b>7832-19</b>



P.O. Box 688 • Vineland, NJ 08362-0688 • 856-692-3333 • Fax: 856-692-8919

**TOLL-FREE: 1-800-223-4524 • FAX: 1-800-543-6752**

**www.aceglass.com email: sales@aceglass.com**

# 7832-17 SOLID STATE RELAY FOR PILOT PLANTS FOR AUTOMATIC TEMPERATURE CONTROL

For use with one standard temperature controller with 120 volt output. For powering up to (4) 240-volt heater circuits to mantles.

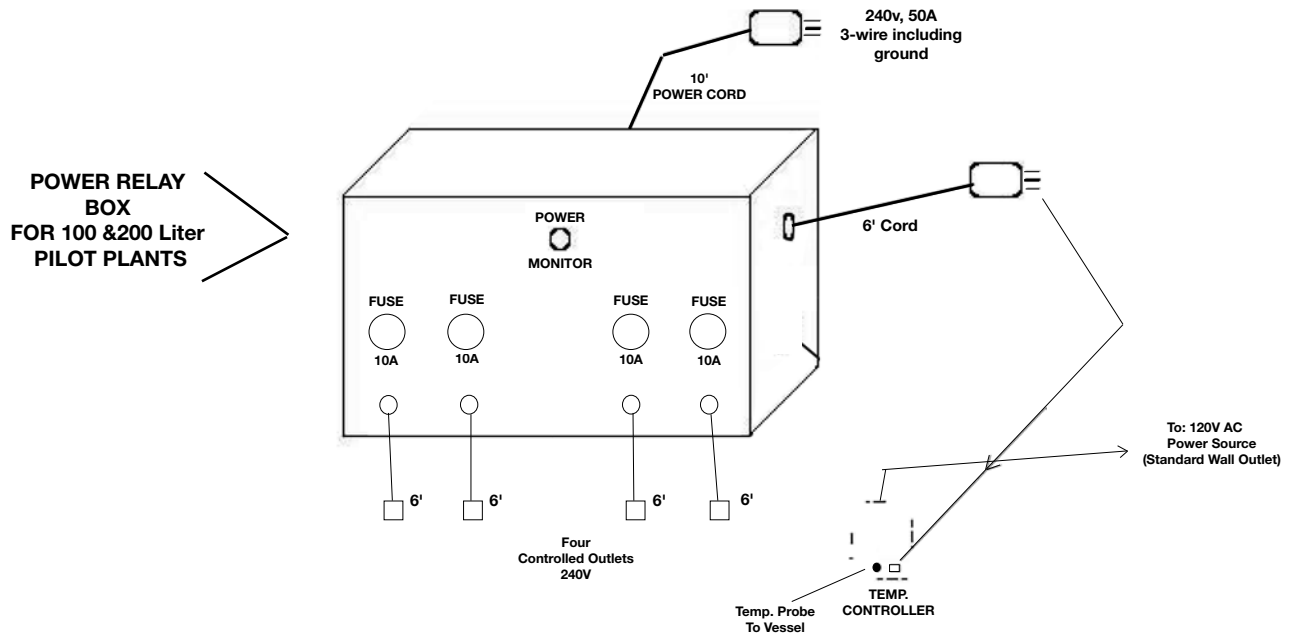
Unit needs a single power source of 240 volts, single phase, 50-ampere with ground, 50/60 Hz., utilizing a twist-lock socket (#CS8269 or CS8264). The relay box has a 10-foot power cord with a twist-lock plug (#CS8265). A six foot 120 volt control cord with plug is used to control the relay box which would plug into the output of the temperature controller. Four cords with sockets are for plugging in the heater circuits; all are fused individually. **NOTE: DO NOT PLUG POWERSTATS INTO THE CONTROLLED OUTLETS** or damage can result to the relay box.

A temperature controller with Ramp & Soak feature or an automatic rate feature - such as in ACE Catalog No. 12107, 12111, 12113 or 12125 - is highly recommended to use with the power relay box. These features when set properly, reduce differential temperatures between material being heated and the mantle heater temperature which keeps the glass walls of the vessel within safe differential temperature limits.

The output of the temperature control can be any normal cycle rate, time proportional, and 120 volt value — this switches the solid state relays which are the non-arcing, non-burning contact type and are optically isolated for safety. An amber monitor light is provided to indicate power relay output.

Order Code  
**7832-17**

(4) Controlled 240 volt outputs  
(Fused 10. amps each)



P.O. Box 688 • Vineland, NJ 08362-0688 • 856-692-3333 • Fax: 856-692-8919

TOLL-FREE: 1-800-223-4524 • FAX: 1-800-543-6752

[www.aceglass.com](http://www.aceglass.com) email: [sales@aceglass.com](mailto:sales@aceglass.com)