

Micro/Mini-Lab[®] Kits



& ACCESSORIES

BASIC KIT 9560-30

- Decreases disposal costs
- Reduces chemical use

Basic MICRO/MINI-LAB KIT, approved by the authors of *Microscale Organic Laboratory* — Dana W. Mayo, Ronald M. Pike, Samuel S. Butcher; John Wiley and Sons, New York. This kit will do 95% of the experiments in the text.

This basic kit will also do the majority of experiments in *Organic Laboratory Techniques* — Donald L. Pavia, Gary M. Lampman, George S. Kriz, Randall G. Engel; Saunders College Publishing, Chicago.

Basic Kit includes the 9599-62 Hickman-Hinkle Still with side port. With the 9599-20 PTFE Band (not included in the kit), the Still can be used as a Spinning Hickman Distillation Still. Also, the 5261-06 Multi-Purpose Adapter has replaced the 5028-25 Thermometer Adapter to allow more versatility, including reduced pressure operations. All joints are $\text{K}14/10$. Supplied in a clear, flexible plastic, tilt lid, compartmentalized box.



Economical, Efficient, Safe!

KIT COMPONENTS

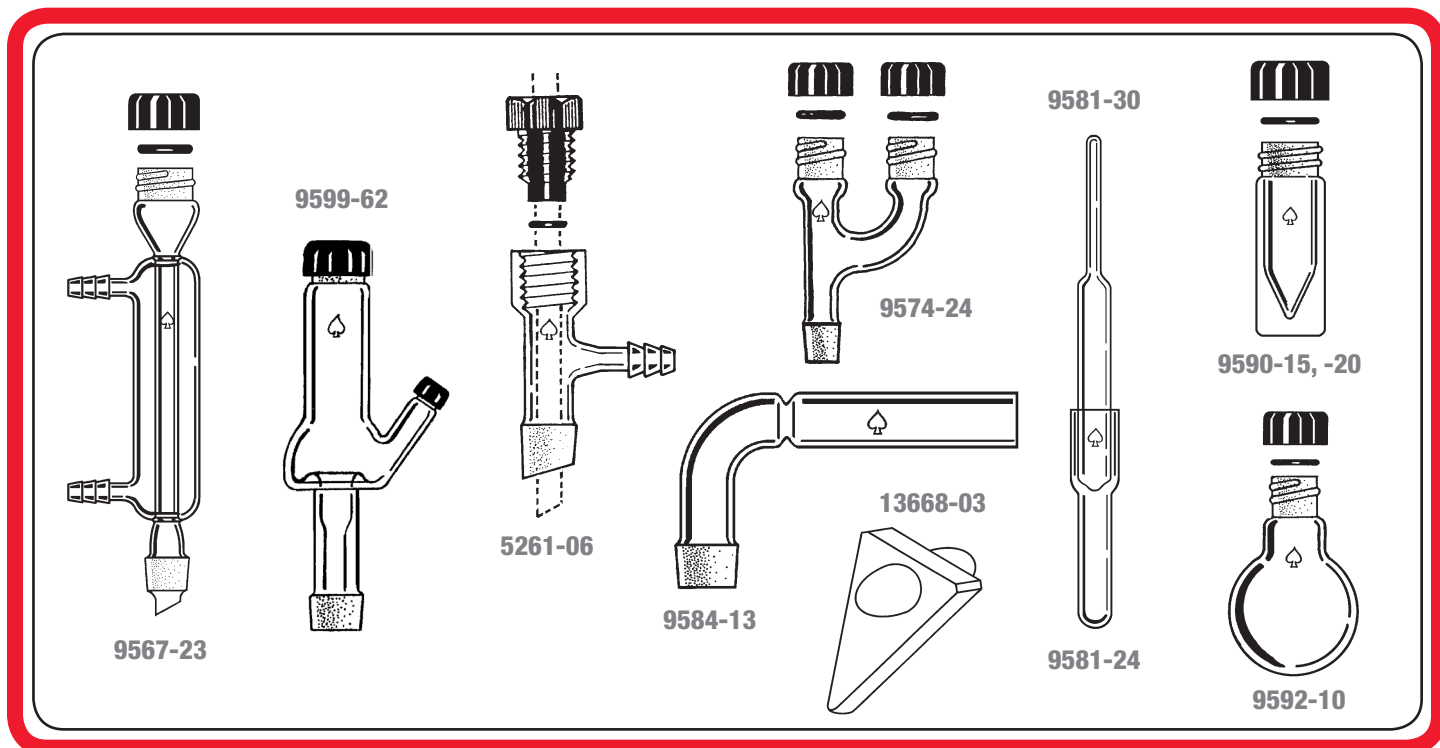
Order Code	Description	Order Code	Description
(1) 9567-23	Jacketed Condenser	(1) 9581-30	PTFE Plug, Craig
(1) 9599-62	Hickman-Hinkle Column, with Side Port	(1) 9592-10	10mL RB Flask
(1) 9574-24	Claisen Adapter	(1) 9584-13	Drying Tube
(1) 9590-15	3.0mL Vial	(1) 5261-06	Multi-Purpose Adapter
(1) 9590-20	5.0mL Vial	(1) 13668-03	Magnetic "V" Stir Bar
(1) 9581-24	2mL Outer, Craig		

*U.S. Patent No. 4,730,480

Order Code

9560-30

Check out our general catalog for a complete line of Micro/Mini-Lab items!



DELUXE KIT **9560-14**

With $\text{\$}14/10$ Joints

Deluxe MICRO/MINI-LAB KIT with microscale glassware to do all experiments described in *Microscale Organic Laboratory* — Dana W. Mayo, Ronald M. Pike, Samuel S. Butcher; John Wiley and Sons, New York.

This kit, supplied with $\text{\$}14/10$ joints, makes it easier to convert from $\text{\$}14/20$ to micro. This kit includes a 9560 Sample Retrieval Syringe, plus the improved, unbreakable, PTFE inner plug for the Craig Recrystallization Tube. Supplied in plastic tilt lid box with foam insert.



KIT COMPONENTS

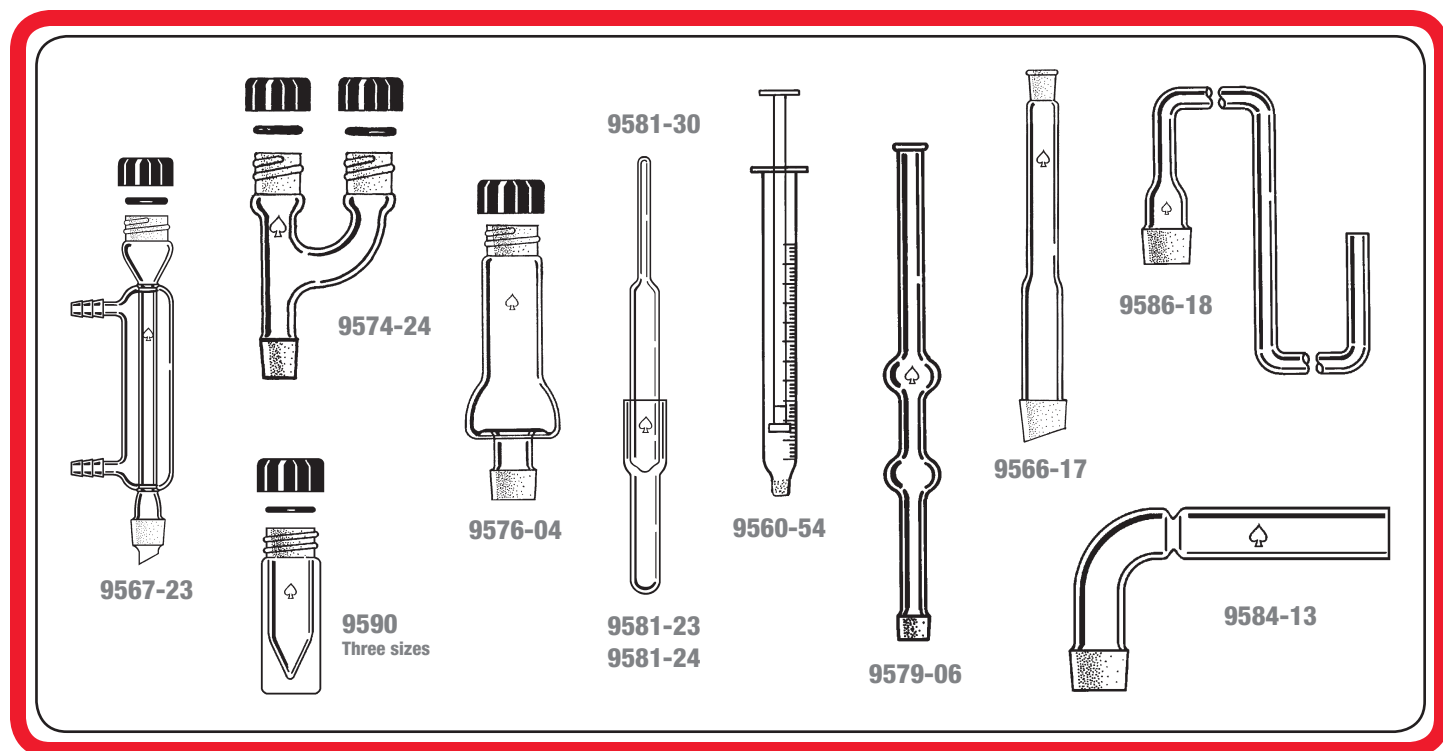
Order Code	Description	Order Code	Description
(1) 9560-54	Sample Syringe	(1) 9581-24	2ml Outer Craig Tube
(1) 9566-17	Air Reflux Condenser	(1) 9581-30	PTFE Plug, Craig
(1) 9567-23	Jacketed Condenser	(1) 9584-13	Drying Tube
(1) 9574-24	Claisen	(1) 9586-18	Gas Delivery Tube
(1) 9576-04	Hickman Still	(2) 9590-02	0.1 mL Vial
(2) 9579-06	GC Collection Tube	(2) 9590-15	3.0mL Vial
(1) 9581-23	1mL Outer Craig Tube	(1) 9590-20	5.0mL Vial

*U.S. Patent No. 4,730,480

Order Code

9560-14

Check out our general catalog for a complete line of Micro/Mini-Lab items!
Custom kits and assemblies are also available — call Ace at 800-223-4524 for details.



DELUXE KIT **9560-18**

With $\$14/10$ Joints

Deluxe micro/mini-lab Kit with microscale glassware to do all experiments in **Microscale Organic Laboratory** — Dana W. Mayo, Ronald M. Pike, Samuel S. Butcher; John Wiley and Sons, New York. This kit is supplied with $\$14/10$ joints and makes converting from $\$14/20$ to microscale realistic and convenient. Included in this kit is the Hickman-Hinkle Distillation Column. Supplied in plastic tilt lid box with foam inserts.

Kit components can be ordered separately. Contact ACE for pricing.

KIT COMPONENTS

Order Code	Description	Order Code	Description
(1) 9560-54	Sample Syringe	(1) 9581-30	PTFE Plug, Craig
(1) 9567-23	Jacketed Condenser	(1) 9592-10	10mL Round-Bottom Flask
(1) 9574-24	Claisen	(2) 9590-02	0.1 mL Vial
(1) 9599-62	Hickman-Hinkle Still	(1) 9590-15	3.0mL Vial
(1) 9599-20	PTFE Spinning Band	(1) 9591-16	3.0mL Vial, Thin
(1) 9599-23	Plastic Insulator	(1) 9590-20	5.0mL Vial
(1) 9584-13	Drying Tube	(1) 9591-21	5.0mL Vial, Thin
(2) 9579-06	GC Collection Tube	(1) 5028-25	Adapter, Thermometer Adapter
(1) 9581-23	1mL Outer Craig Tube		

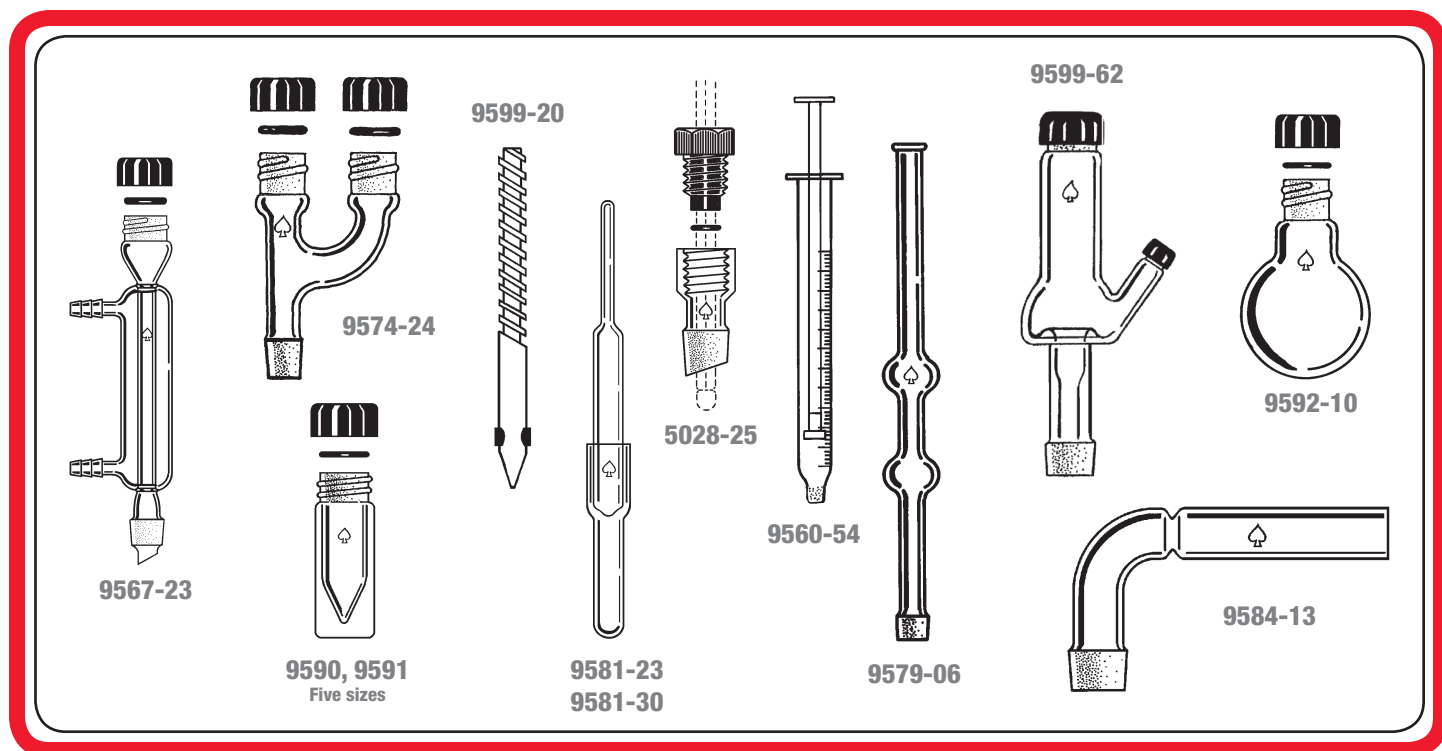
*U.S. Patent No. 4,730,480

Order Code

9560-18

REPLACEMENT ITEMS FOR ALL KITS

Description	For Use With	Order Code
3-Piece Foam Insert	9560-05	9560-65
3-Piece Foam Insert	9560-14	9560-63
3-Piece Foam Insert	9560-18	9560-62
3-Piece Foam Insert	Spinning Band Column	9595-60
Plastic Box with Tilt Lid	9560-05, -14, -18	9560-66
Plastic Box with Tilt Lid	Spinning Band Column	9595-61
Plastic Box with Tilt Lid	9560-30	9560-68



DELUXE KIT **9560-05**

The original Deluxe MICRO/MINI-LAB KIT with all microscale glassware necessary to conduct the 52 experiments described in *Microscale Organic Laboratory* – Dana W. Mayo, Ronald M. Pike, Samuel S. Butcher; John Wiley and Sons, New York. This equipment, originally developed by the authors, is supplied with $\text{K}5/5$, $\text{K}7/10$ and $\text{K}14/10$ joints and includes the improved, unbreakable PTFE inner plug for the Craig Recrystallization Tube. Supplied in plastic tilt lid box with foam insert.

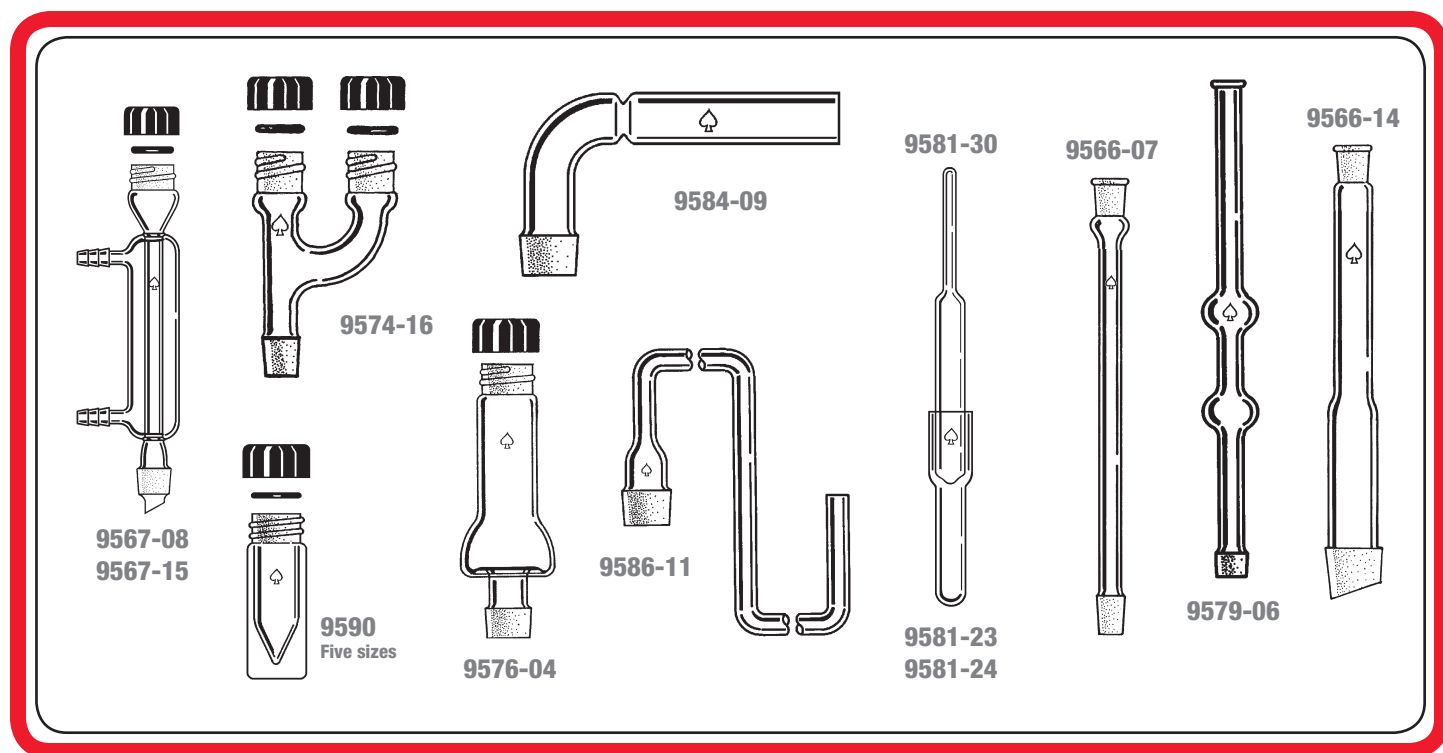
Kit components can be ordered separately. Contact ACE for pricing.

KIT COMPONENTS

Order Code	Description	Order Code	Description
(1) 9566-07	Air Reflux Condenser	(1) 9581-30	PTFE Plus, Craig
(1) 9566-14	Air Reflux Condenser	(2) 9584-09	Drying Tube
(1) 9567-08	Jacketed Condenser	(1) 9586-11	Gas Delivery Tube
(1) 9567-15	Jacketed Condenser	(2) 9590-02	0.1 mL Vial
(1) 9574-16	Claisen Adapter	(1) 9590-03	0.3mL Vial
(1) 9576-04	Hickman Still	(1) 9590-10	1.0mL Vial
(2) 9579-06	GC Collection Tube	(2) 9590-15	3.0mL Vial
(1) 9581-23	1mL Outer Craig Tube	(1) 9590-20	5.0mL Vial
(1) 9581-24	2mL Outer Craig Tube		

*U.S. Patent No. 4,730,480

Order Code
9560-05



P.O. Box 688 • Vineland, NJ 08362-0688 • 856-692-3333 • Fax: 856-692-8919

TOLL-FREE: 1-800-223-4524 • FAX: 1-800-543-6752

www.aceglass.com email: sales@aceglass.com

